

C-SERIES C12,000

The multi-directional forklift designed for the safe, space saving and productive handling of long and bulky loads.

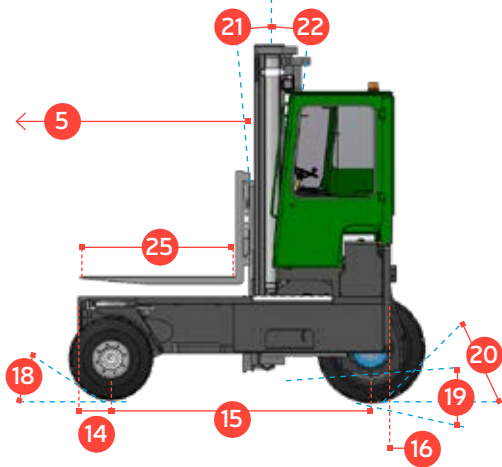
COMBiLiFT

LIFTING INNOVATION

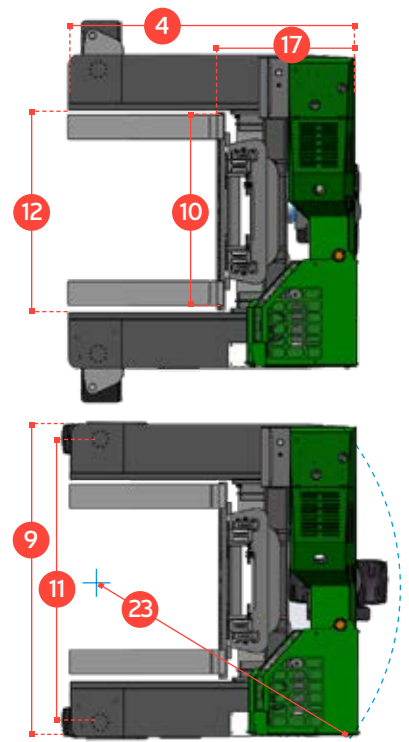
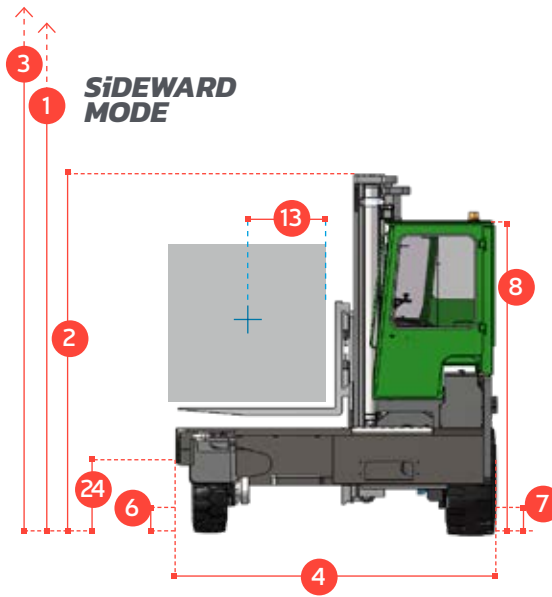


C-SERIES C12,000

FRONTAL MODE



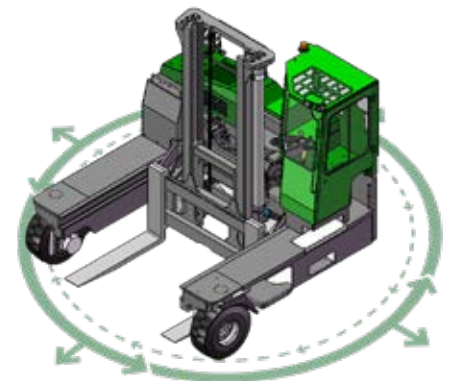
SIDeward MODE



REF.	DESCRIPTION	C12,000
1a	Max. Lift Height	4100 mm
1b	Free Lift Height	0mm
2	Height Mast Closed	3450mm
3	Max. Mast Raised	5800mm
4	Overall Length	3040mm
5	Mast travel	1650mm
6	Ground Clearance Under Mast	305mm
7	Ground Clearance to Centre of Wheelbase	330mm
8	Height Over Cab (Without work lights)	2950mm
9	Width	3260mm
10	Outside Spread of Fork Arms	2000mm
11	Track Front	2955mm
12	Frame Opening	2108mm
13	Load Centre Distance	600mm
14	Overhang Front	310mm
15	Wheelbase	2545mm
16	Overhang Back	185mm
17	Length from Face of Fork	1550mm
18	Approach Angle	45°
19	Ramp Angle	29°
20	Departure Angle	45°
21	Forward Tilt	4°
22	Backward Tilt	8°
23	Minimum Outside Radius	3120mm
24	Platform Height	980mm
25	Platform Length	1490mm

A	Capacity	12,000 kg
B	Unladen Weight	14,800 kg
C	Maximum Ground Speed	19 km/h
D	Gradeability	15%
E	Kubota V3800 -TE Diesel / 4.3 ltr GM LPG	74 kW / 72 kW
F	Electrics	12 Volt
G	Fork Section	65mm x 250mm x 1490mm
H	400 / 65 - 15 Front Tyre	OD 825mm / Width 326mm
I	465 / 55 - 20 Rear Tyre	OD 1030mm / Width 465mm
J	Standard Colour	Green & Grey
K	Suspension Seat	KAB Model 116

Multi-Directional



Features Include:

- Rubber Mounted Half Open Cabin
- Multi-Directional Operation
- 3 Wheel Hydrostatic Drive
- Load Sensing Steering
- 4 Way Lever Positioning of Wheels
- Hydraulic Oil Cooler

Distributed by:

European Patent No. 2167416; Brazilian Patent No. P10811954-6; Australian Patent No. 2008253242

COMBILIFT HAS A POLICY OF CONTINUOUS PRODUCT DEVELOPMENT AND RESERVES THE RIGHT TO ALTER SPECIFICATIONS WITHOUT PRIOR NOTICE. SPECIFICATIONS AND/OR DIMENSIONS MAY VARY FROM THOSE ILLUSTRATED IN SOME COUNTRIES.